

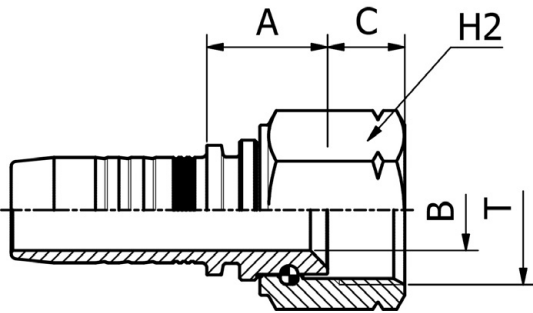
SAE STANDARD CONNECTIONS

# M14390

**90° SAE SWIVEL MALE O-RING BOSS TYPE  
SAE J516 / ISO 11926**

FITTINGS 138

PART. REF.	HOSE BORE			Thread	DIMENSIONS mm						
	DN	Dash	inch		T	B	A	C	E	H1	H2
M14390-06-06	10	- 6	3/8"	9/16" - 18		5.7	20.0	9.9	40.0	22.0	17.0
M14390-06-08	10	- 6	3/8"	3/4" - 16		9.3	20.0	11.1	44.5	22.0	22.0
M14390-08-08	12	- 8	1/2"	3/4" - 16		9.3	23.5	11.1	47.0	27.0	22.0
M14390-08-10	12	- 8	1/2"	7/8" - 14		9.8	23.5	13.0	47.0	27.0	27.0
M14390-10-10	16	- 10	5/8"	7/8" - 14		9.8	23.5	13.0	47.0	27.0	27.0
M14390-12-12	19	- 12	3/4"	1.1/16" - 12		13.0	28.0	15.0	58.5	34.0	32.0



SAE STANDARD CONNECTIONS

# M22612

**SAE FEMALE 45° CONE SEAT  
SAE J516/J512  
(THRUST-WIRE NUT)**

PART. REF.	HOSE BORE			Thread	DIMENSIONS mm						
	DN	Dash	inch		T	B	A	C	H2		
M22612-04-04	6	- 4	1/4"	7/16" - 20		4.0	15.5	8.7	17.0		
M22612-05-06	8	- 5	5/16"	5/8" - 18		7.0	16.0	10.8	22.0		
M22612-06-06	10	- 6	3/8"	5/8" - 18		7.0	16.5	10.8	22.0		
M22612-12-12	19	- 12	3/4"	1.1/16" - 14		15.0	22.5	14.4	32.0		